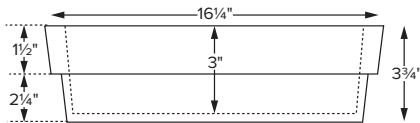
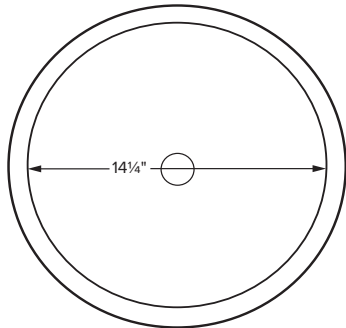




# Halo 1 SR

Model # MTCS-741  
16.25" x 3.75"

**Material** SculptureStone®  
**Installation** semi-recessed  
**Shipping Weight** 17 lbs.



When semi-recessed, the top 1/2" of the sink will rest on the counter.  
Due to its handcrafted nature, always measure sink on-site to ensure cut-out accuracy.

### Sink Options and Pricing

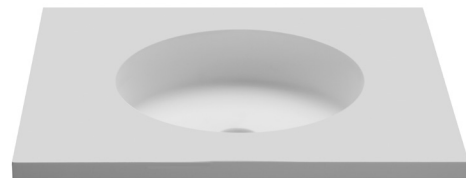
<b>Part #:</b> MTCS741 <b>\$895</b>
<b>Packaging / Handling Fee Applies</b>
<b>Standard Color</b> White, matte finish <b>Biscuit Color Upgrade</b> (SSBISNK) <b>\$115</b> matte finish Additional material colors available for projects only. Please call MTI.
<b>Hand-Polished Deep Gloss Finish Upcharge</b> (SSGLOSSSNK2) <b>\$515</b> For White or Biscuit
<b>Exterior Color</b> <b>\$315</b> (SSCOLSG) Gloss (SSCOLSM) Matte Must specify color code: Saphire Blue (SB), Blue Lagoon (BL), Terracotta (TC), Onyx (OX), Nightfall (NF), Stratus Gray (TG), Stormgray (SG), Moonstone (MS)
<b>Quick Ship</b> (QSPRI3) <b>\$235</b> reduces lead time Please call for availability.

### Options and Accessories

<b>Drain Kits</b>
<b>Finger Touch Drain Without Overflow</b> Chrome (DKFGCN) <b>\$160</b> , Brushed Nickel (DKFGBNN) <b>\$175</b>
<b>Grid Drain Without Overflow</b> Chrome (DKGDCN) <b>\$105</b> , Brushed Nickel (DKGDBNN) <b>\$165</b>
<b>Fixed Drain Without Overflow</b> Chrome (DKFDC) <b>\$280</b>
<b>Sink Bottom Cover</b> matching material color Matte (BCSMT) <b>\$265</b> , Gloss (BCSGL) <b>\$370</b> Upcharge, Ext. Color for Sink Bottom Cover Matte (SSCOLSBM) <b>\$240</b> Gloss (SSCOLSBG) <b>\$240</b>

### CONSTRUCTION AND STANDARD FEATURES

- 1.5" drain opening. Comes without an overflow. Check local codes.
- One-piece construction using Engineered SculptureStone® (ESS) material.
- This material is non-porous, stain-, mold- and mildew-resistant.
- Approximately 70% of the material is organic, including minerals mined from the earth, making it "Green".
- Five-Year Limited Residential Warranty.



Also available in this style, Halo Counter-Sink 1, featuring custom-size countertop with integrated bowl. Offered in single or double bowl configurations.

• Before discarding packaging, check for accessories that may be inside.  
• All product measurements are ±1/2".  
• Specifications and configurations are subject to change without notice.  
• Measurements herein supersede all others published prior to publication date below.

